

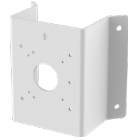
35 SERIES CAMERAS MOUNTS AND ACCESSORIES

Honeywell's 35 Series mounts and accessories provide a wide range of installation options for the Honeywell 35 Series IP cameras, including junction boxes and a variety of brackets for in-ceiling, wall, pole, and corner mounting.

All of the mounts and accessories offer excellent value at an attractive price with simple, clean lines, rugged construction and options suitable for indoor or outdoor mounting use.

The mounts provide easy cable routing with no exposed wiring, and the cameras can be installed, adjusted, and tested without repositioning the housing.

The junction box, pole mount adapter, wall mount bracket, and corner mount adapter are constructed of die-casting aluminum. The in-ceiling mount bracket is made of SECC steel. The pole mount bracket, corner mount bracket is made of SPCC steel.



HA35CNM01
Corner Mount
Adapter



HA35PLM01
Pole Mount Bracket



HA60WLMB1
Wall Mount Bracket



HA35PMC02
Camera Cap



HA35PMC03
Camera Cap



HA35PCM04B
Camera Cap



HA35CLM01
Pendant Mount



HA35CLM02
Pendant Extension
Mount



HA354SC01
4S Box Cover



HA35JCBHDV
MFZ Dome
Junction Box



HA35JCBHA1
All-in-one Box



HA35JCBHDF
Fixed Dome
Junction Box



HA35JCBHBA
Bullet Junction Box



HA35JCBM01
Micro Dome
Junction Box



HA35JCBHBB
Bullet Junction Box



HA35JCBWML
Wall Mount Bracket



HA35ICK
Dome In-Ceiling
Mount Bracket



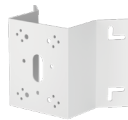
HA60WLMZI
Wall Mount Bracket



HA60WLMZL
Wall Mount Bracket



HA60PLMZI
Pole Mount Bracket



HA60CNMZI
Corner Mount Bracket



HA60CLM01
Pendant Mount



HA60CLM02
Pendant Extension
Mount



HA35SB3
Fixed Lens Dome
Bubble (Smoke)























HA35SB4
MFZ Lens Dome
Bubble (Smoke)




HA35JCBHA1G
All-in-one Box

MOUNTS AND ACCESSORIES COMPATIBLE 35 SERIES CAMERAS

MODEL	HC35W43R3 HC35W45R3 HC35W48R3	HC35W43R2 HC35W45R2 HC35W48R2	HC35WB3R3 HC35WB5R3 HC35WB8R3	HC35WB3R2 HC35WB5R2 HC35WB8R2	HC35WE3R3 HC35WE5R3 HC35WE8R3	HC35WE3R2 HC35WE5R2 HC35WE8R2	HC35W25R3	HC35WE5R2G
HA35JCBHDV								
HA35JCBHDF								
HA35JCBHA1								
HA35JCBHBA								
HA35CNM01	+HA35JCBHDF or +HA35PMC03 HA60WLMB1	+HA35JCBHDV or +HA35PMC02 HA60WLMB1	+HA35JCBHBA	+HA35JCBHBA	+HA35JCBHA1 or +HA35PMC03 HA60WLMB1	+HA35JCBHA1 or +HA35PMC02 HA60WLMB1	+HA35JCBHA1	
HA35PLM01	+HA35JCBHDF or +HA35PMC03 HA60WLMB1	+HA35JCBHDV or +HA35PMC02 HA60WLMB1	+HA35JCBHBA	+HA35JCBHBA	+HA35JCBHA1 or +HA35PMC03 HA60WLMB1	+HA35JCBHA1 or +HA35PMC02 HA60WLMB1	+HA35JCBHA1	
HA35PMC02								
HA35PMC03								
HA60WLMB1	+HA35PMC03	+HA35PMC02			+HA35PMC03	+HA35PMC02		
HA35CLM01	+HA35PMC03	+HA35PMC02			+HA35PMC03	+HA35PMC02		
HA35CLM02	+HA35PMC03 +HA35CLM01	+HA35PMC02 +HA35CLM01			+HA35PMC03 +HA35CLM01	+HA35PMC02 +HA35CLM01		
HA354SC01		+4S box (box and installation not included) 						
HA35ICK		✓						
HA35JCBWML								
HA35SB3	✓							
HA35SB4		✓						
HA35JCBHA1G								

MOUNTS AND ACCESSORIES COMPATIBLE 35 SERIES CAMERAS

MODEL	HC35WF6R1 HC35WFCR1	HC35CB5R3	HC35WMBAR1	HC35TB5R1JT07 HC35TB5R4JT10	HC35TE5R3JT21 HC35TE5R4JT35	HC35CE5R3	HC35W25R3-H
HA35JCBHA1							
HA35JCBHBA							
HA35JCBM01							
HA35JCBHBB							
HA35CNM01	+HA35JCBHA1 or +HA60WLMB1 HA35PCM04B 	+HA35JCBHBA 	+HA35JCBHBA 	+HA35JCBHBB 	+HA35JCBHA1 or +HA35PMC02 HA60WLMB1 	+HA35JCBHA1 or +HA35PMC03 HA60WLMB1 	+HA35JCBM01 or +HA60WLMB1 HA35PCM04B 
HA35PLM01	+HA35JCBHA1 or +HA60WLMB1 HA35PCM04B 	+HA35JCBHBA 	+HA35JCBHBA 	+HA35JCBHBB 	+HA35JCBHA1 or +HA35PMC02 HA60WLMB1 	+HA35JCBHA1 or +HA35PMC03 HA60WLMB1 	+HA35JCBM01 or +HA60WLMB1 HA35PCM04B 
HA35PMC02							
HA35PMC03							
HA35PCM04B							
HA60WLMB1	+HA35PCM04B 				+HA35PMC02 	+HA35PMC03 	+HA35PCM04B 
HA35CLM01	+HA35PCM04B 	+HA35PCM04B 	+HA35PCM04B 	+HA35PCM04B 	+HA35PMC02 	+HA35PMC03 	+HA35PCM04B 
HA35CLM02	+HA35PCM04B +HA35CLM01 	+HA35PCM04B +HA35CLM01 	+HA35PCM04B +HA35CLM01 	+HA35PCM04B +HA35CLM01 	+HA35PMC02 +HA35CLM01 	+HA35PMC03 +HA35CLM01 	+HA35PCM04B +HA35CLM01 
HA35JCBWML							

MOUNTS AND ACCESSORIES COMPATIBLE 35 SERIES CAMERAS

MODEL	HC35WZ2R25 HC35WZ5R30 HC35WZ5R30W
HA60WLMZI	
HA60WLMZL	
HA60PLMZI	<p>+HA60WLMZI or HA60WLMZL</p> 
HA60CNMZI	<p>+HA60WLMZI or HA60WLMZL</p> 
HA60CLM01	<p>+HA60CLM02</p> 
HA60CLM02	<p>+HA60CLM01</p> 

MOUNTS AND ACCESSORIES

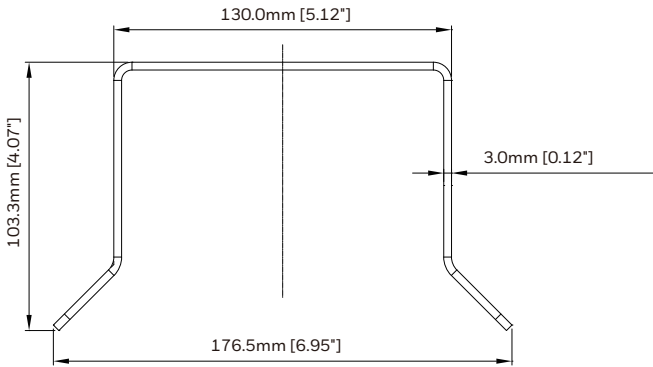
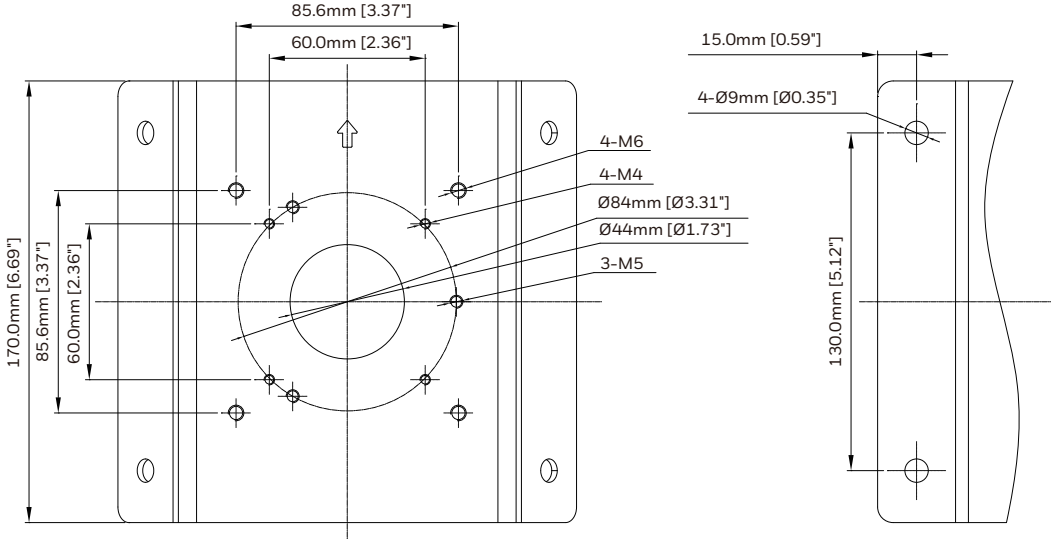
SPECIFICATIONS

MODEL	INDOOR/ OUTDOOR	CONSTRUCTION	COLOR	WEIGHT	DIMENSIONS
HA35CNM01	Indoor/outdoor	Aluminum	RAL 9003 (Signal White)	0.5 kg (1.1 lb)	170.0 mm x 176.5 mm x 103.3 mm (6.69" x 6.95" x 4.07")
HA35PLM01	Indoor/outdoor	Aluminum+SUS304	RAL 9003 (Signal White)	0.31 kg (0.68 lb)	170.0 mm x 130.2 mm x 46 mm (6.69" x 5.13" x 1.81")
HA60WLMB1	Indoor/outdoor	ADC12	RAL 9003 (Signal White)	0.4 kg (0.90 lb)	222.7mm x 118.0 mm x 118.0 mm (8.77" x 4.65" x 4.65")
HA35PMC02	Indoor/outdoor	ADC12	RAL 9003 (Signal White)	0.5 kg (1.10 lb)	Ø134.1 mm x 82.5 mm (Ø5.28" x 3.25")
HA35PMC03	Indoor/outdoor	ADC12	RAL 9003 (Signal White)	0.4 kg (0.90 lb)	Ø118.9 mm x 89.4 mm (Ø4.68" x 3.52")
HA35PCM04B	Indoor/outdoor	ADC12	RAL 9003 (Signal White)	0.52 kg (1.15 lb)	133.6 mm x 76.7 mm (Ø5.26" x 3.02")
HA35CLM01	Indoor/outdoor	ADC12	RAL 9003 (Signal White)	0.3 kg (0.70 lb)	Ø140.0 mm x 52.2 mm (Ø5.51" x 2.06")
HA35CLM02	Indoor/outdoor	Aluminum	RAL 9003 (Signal White)	0.3 kg (0.70 lb)	Ø38.0 mm x 252.0 mm (Ø1.50" x 9.92")
HA354SC01	Indoor/outdoor	Aluminum	RAL 9003 (Signal White)	0.1 kg (0.20 lb)	Ø150.0 mm x 3.0 mm (Ø5.91" x 0.12")
HA35JCBHDV	Indoor/outdoor	ADC12	RAL 9003 (Signal White)	0.2 kg (0.45 lb)	123.7 mm x Ø122.9 mm x 52.0 mm (4.87"xØ4.84"x2.05")
HA35JCBHA1	Indoor/outdoor	ADC12	RAL 9003 (Signal White)	0.5 kg(1.06 lb)	143.5 mm x Ø141.8 mm x 51.0 mm (5.65"xØ5.58"x2.01")
HA35JCBHDF	Indoor/outdoor	ADC12	RAL 9003 (Signal White)	0.2 kg (0.42 lb)	110.8 mm x Ø109.9 mm x 47.0 mm (4.36"xØ4.33"x1.85")
HA35JCBHBA	Indoor/outdoor	ADC12	RAL 9003 (Signal White)	0.4 kg (0.79 lb)	122.3 mm x Ø122.3 mm x 46.0 mm (4.82"xØ4.82"x1.81")
HA35JCBM01	Indoor/outdoor	ADC12	RAL 9003 (Signal White)	0.36kg (0.79lb)	105 mm x 105 mm x 60 mm (5.91"x5.91"x2.36")
HA35JCBHBB	Indoor/outdoor	ADC12	RAL 9003 (Signal White)	0.17 kg (0.37 lb)	Ø120.5 mm x 37 mm (Ø4.74" x 1.46")
HA35ICK	Indoor/outdoor	Steel + Plastic	RAL 9003 (Signal White)	0.51 kg (1.12 lb)	Ø195.2 mm x 72.5 mm (Ø7.69" x 2.85")
HA35JCBWML	Indoor/outdoor	ADC12	RAL 9003 (Signal White)	0.50 kg (1.10 lb)	125.7 mm x 76.4 mm x 160.4 mm (4.95" x 3.01" x 6.31")
HA60WLMZI	Indoor/outdoor	ADC12	RAL 9003 (Signal White)	0.59 kg (1.30 lb)	109 mm x 164 mm x 209.3 mm (4.29" x 6.46" x 8.24")
HA60WLMZL	Indoor/outdoor	ADC12	RAL 9003 (Signal White)	0.99 kg (2.18 lb)	109 mm x 164 mm x 279.3 mm (4.29" x 6.46" x 11.0")
HA60PLMZI	Indoor/outdoor	Steel	RAL 9003 (Signal White)	2.68 kg (5.91 lb)	200 mm x 67.2 mm x 320 mm(7.87" x 2.65" x 12.6")
HA60CNMZI	Indoor/outdoor	Steel	RAL 9003 (Signal White)	1.56 kg (3.44 lb)	247.6 mm x 180 mm x 143.5 mm(9.75" x 7.09" x 5.65")
HA60CLM01	Indoor/outdoor	ADC12	RAL 9003 (Signal White)	0.24 kg (0.53 lb)	Ø121 mm x 38 mm (Ø4.77" x 1.50")
HA60CLM02	Indoor/outdoor	Aluminium	RAL 9003 (Signal White)	1.11 kg (2.44 lb)	Ø56 mm x 352 mm (Ø2.20" x 13.86")
HA35SB3	Indoor/outdoor	PC	Smoke	0.026 kg (0.057 lb)	Ø84.7mm x 45.1 mm (Ø3.34" x 1.78")
HA35SB4	outdoor	PC	Smoke	0.048 kg (0.106 lb)	Ø102.9mm x 58.42 mm (Ø4.05" x 2.3")
HA35JCBHA1G	Indoor/outdoor	ADC12	Hon dark gray (C14055B3JP)	0.48 kg (1.06 lb)	143.5 mm x Ø141.8 mm x 51.0 mm (5.65" x Ø5.58" x 2.01")

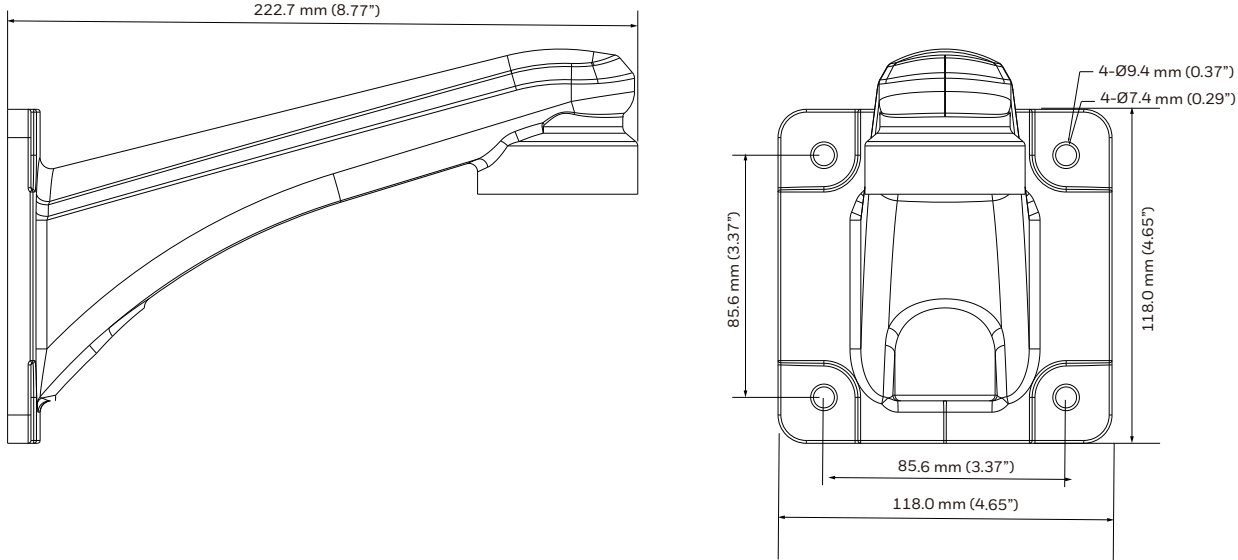
MOUNTS AND ACCESSORIES

DIMENSIONS

HA35CNM01



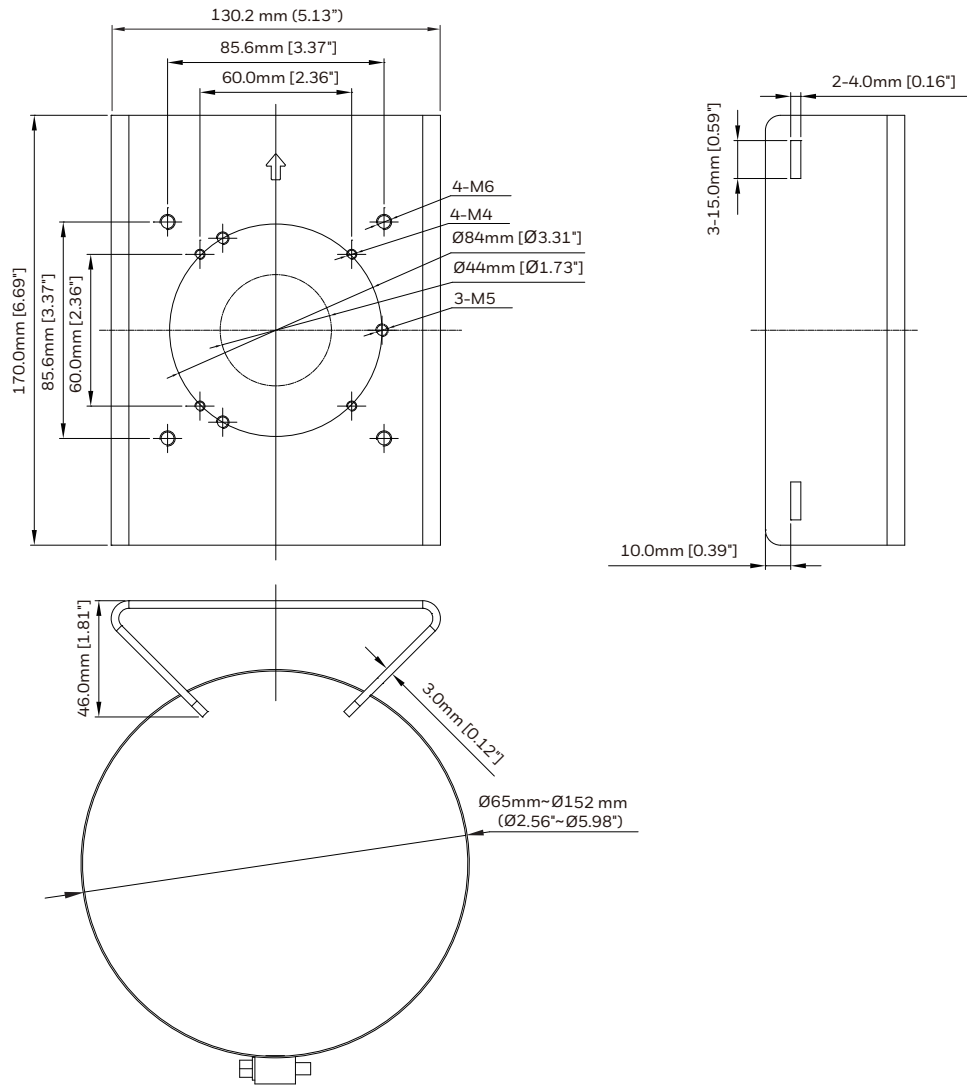
HA60WLMB1



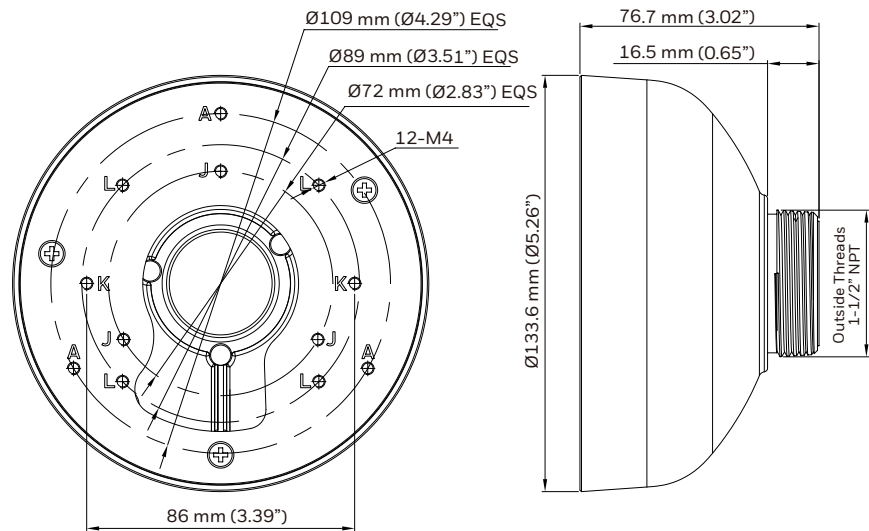
MOUNTS AND ACCESSORIES

DIMENSIONS

HA35PLM01



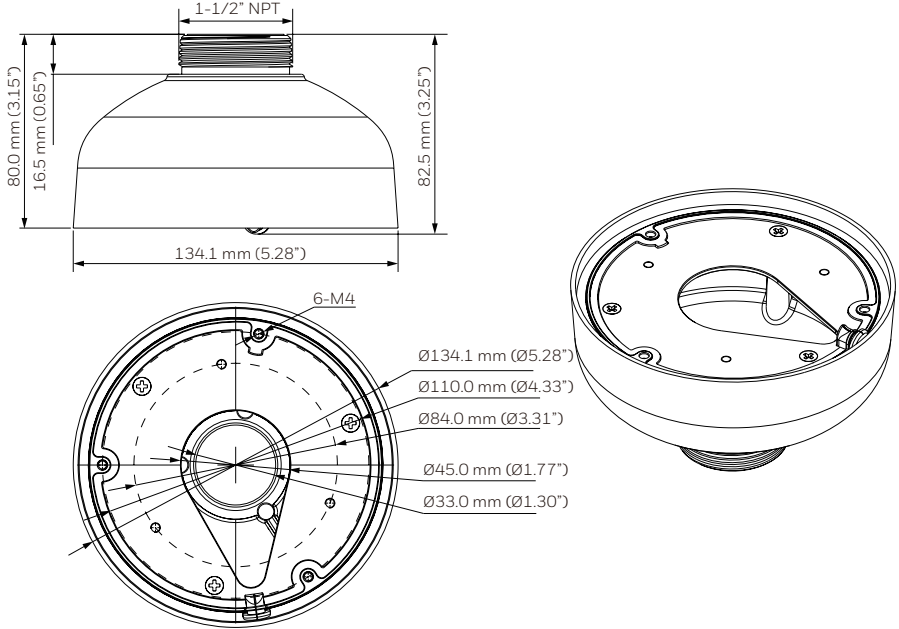
HA35PCM04B



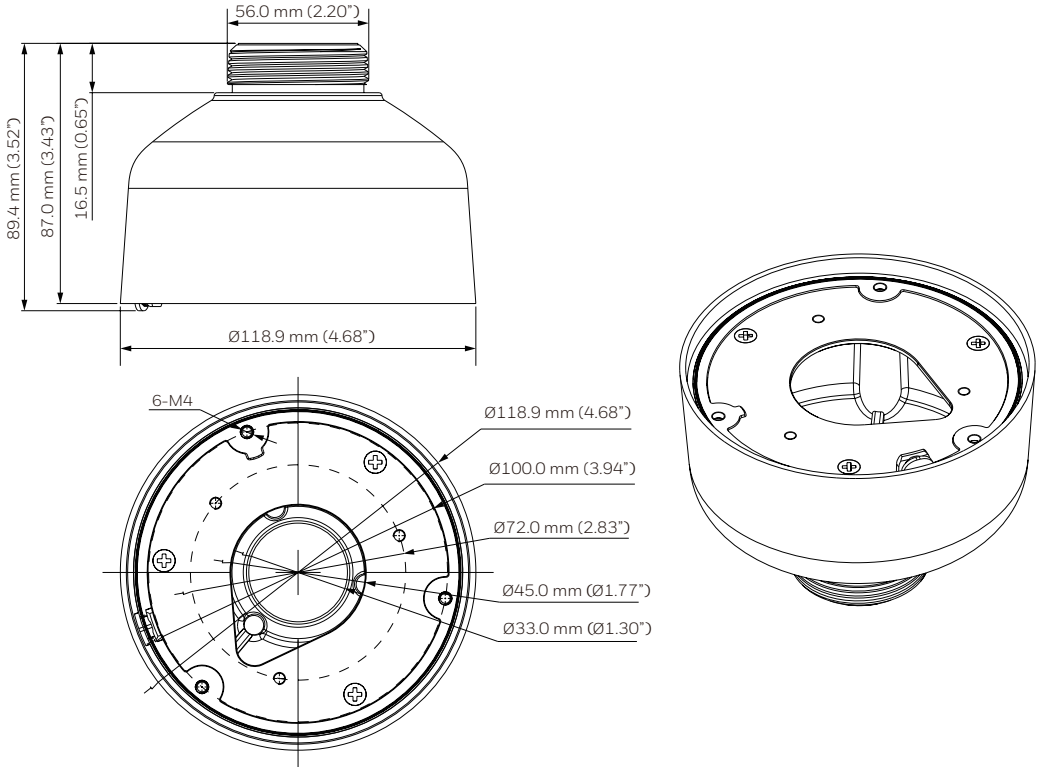
MOUNTS AND ACCESSORIES

DIMENSIONS

HA35PMC02



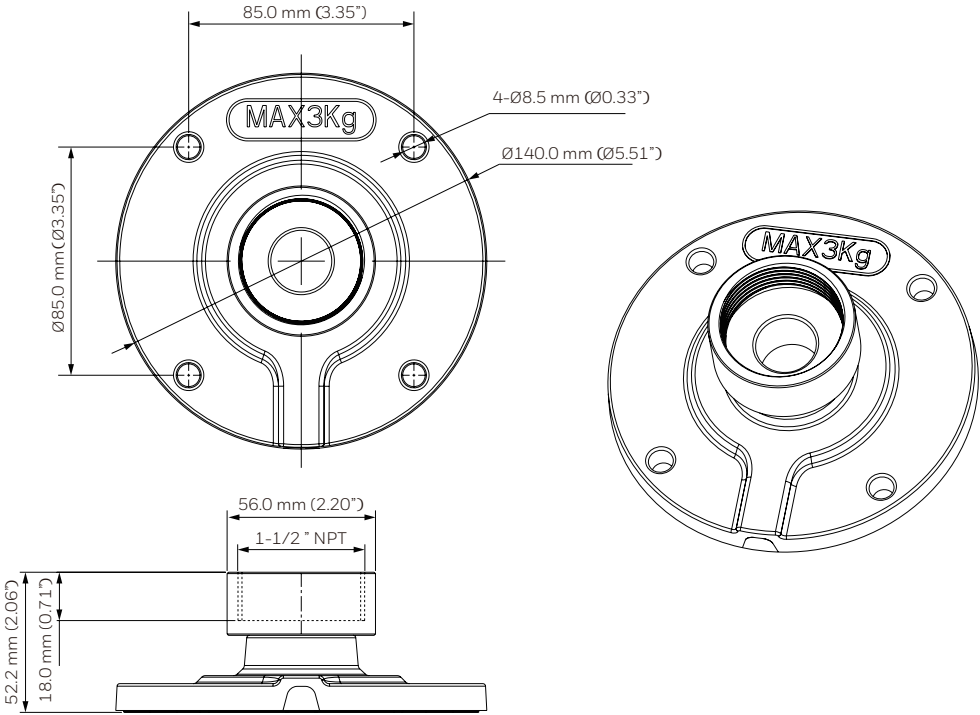
HA35PMC03



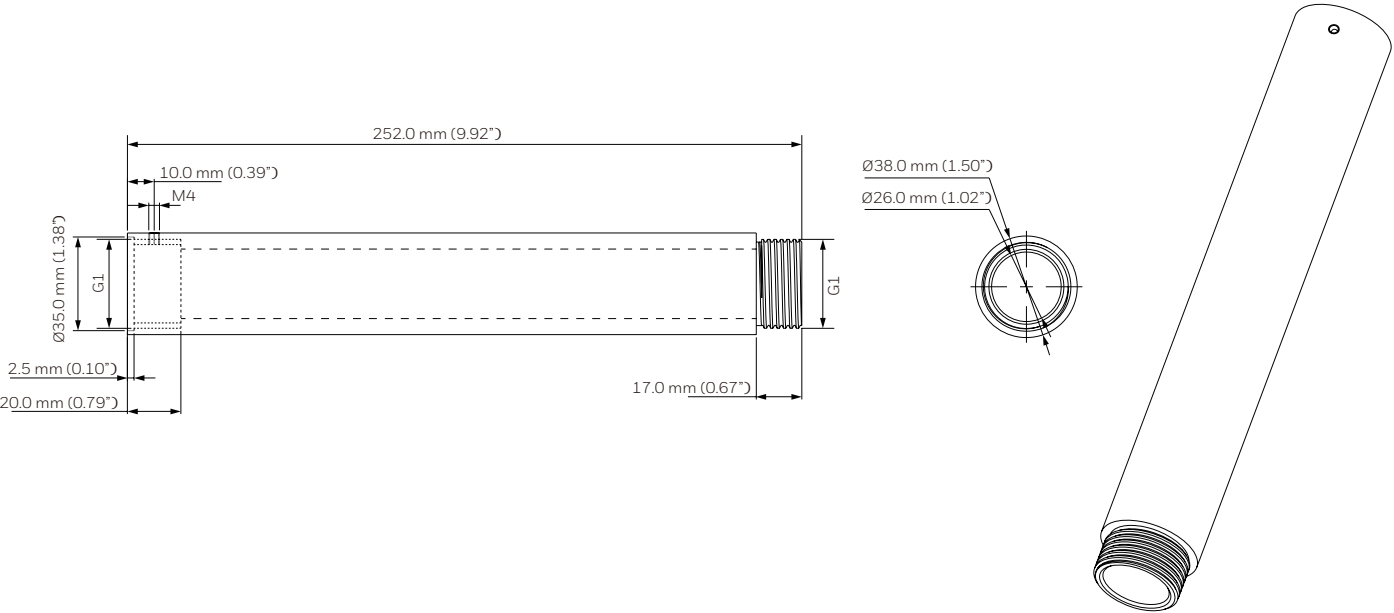
MOUNTS AND ACCESSORIES

DIMENSIONS

HA35CLM01



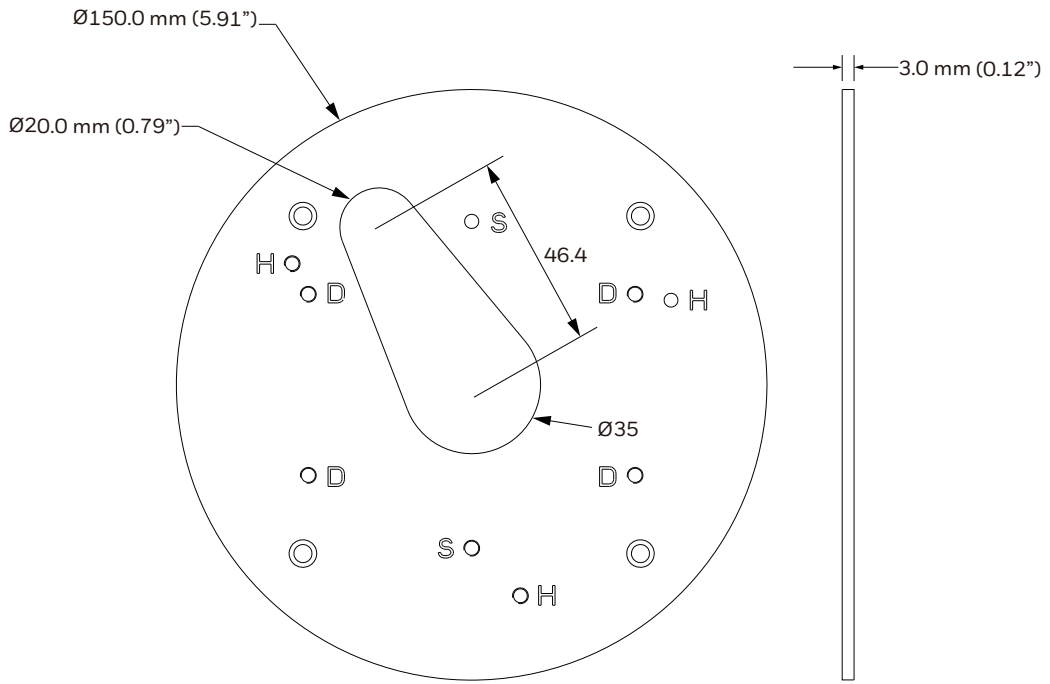
HA35CLM02



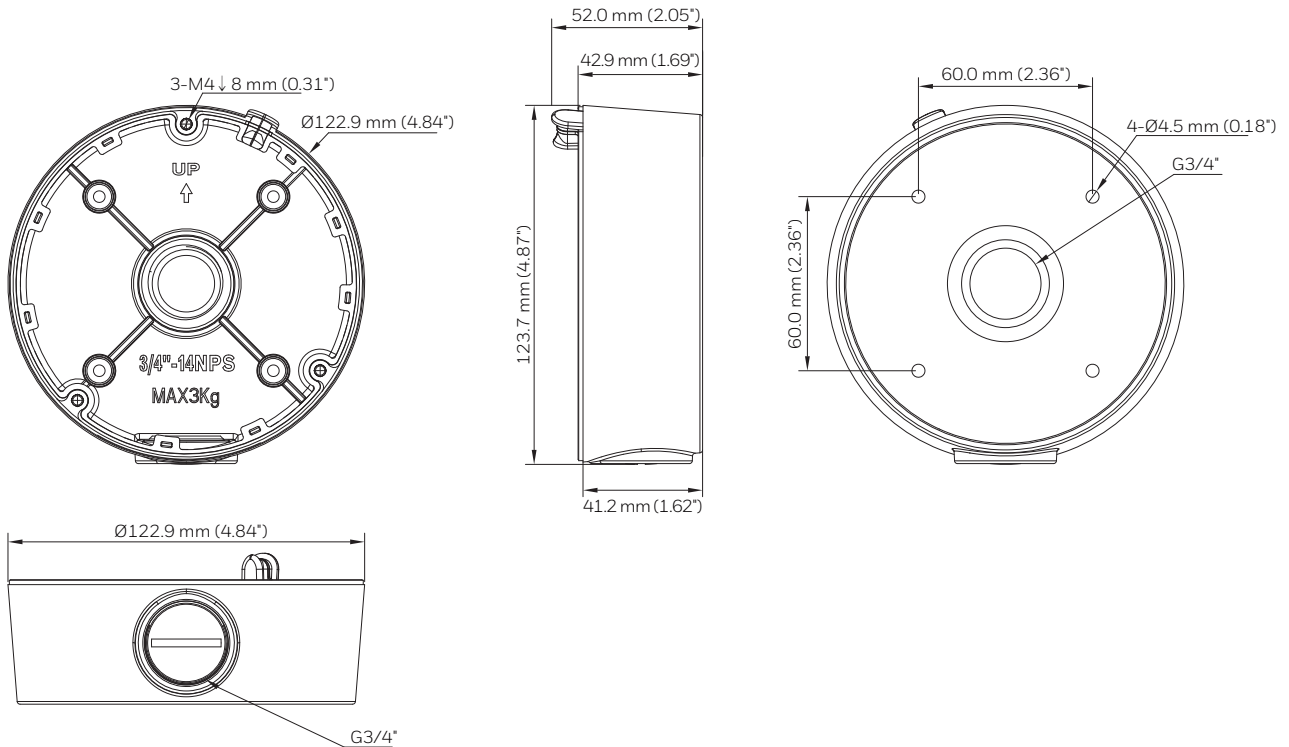
MOUNTS AND ACCESSORIES

DIMENSIONS

HA354SC01



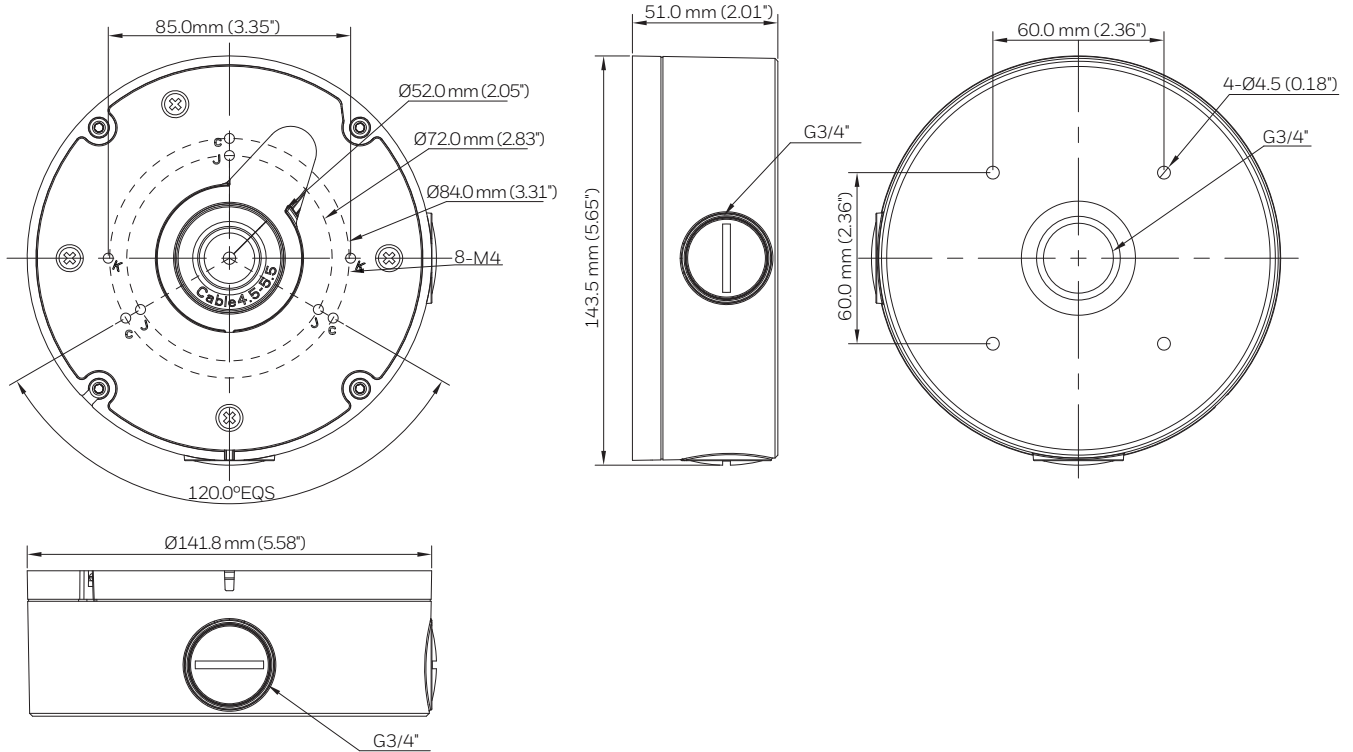
HA35JCBHDV



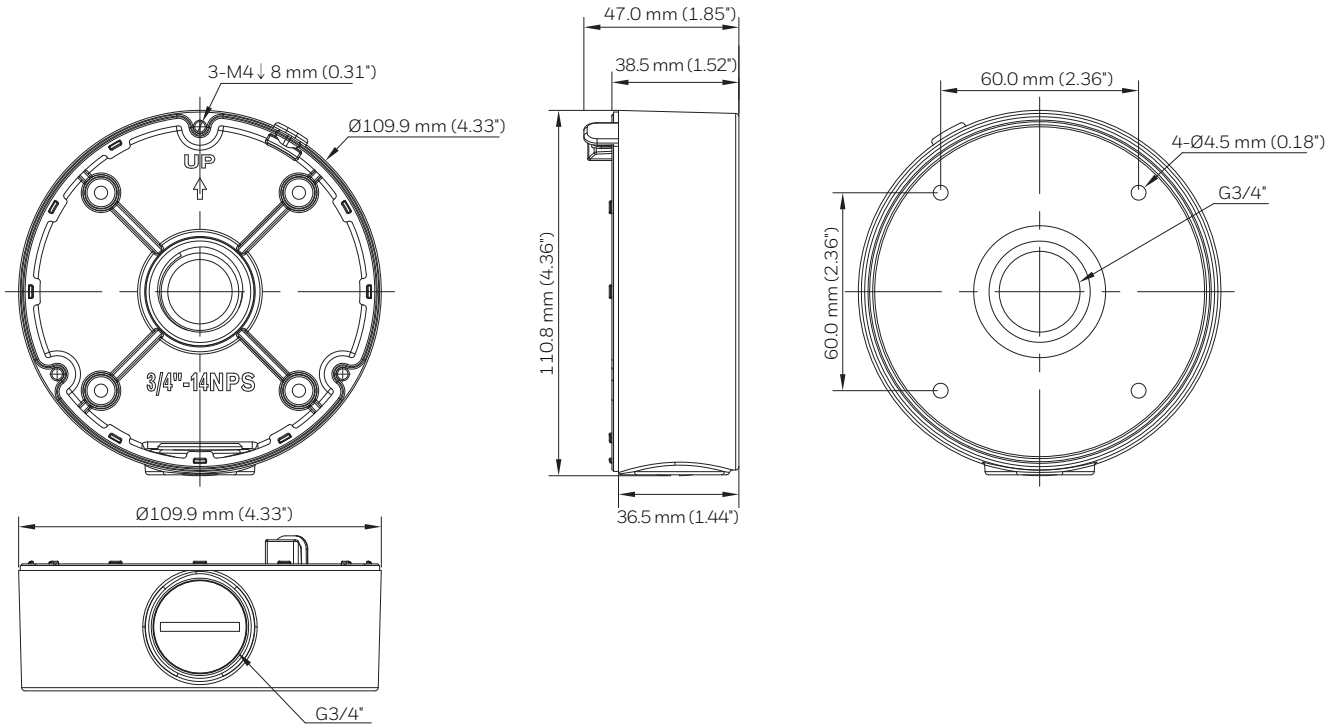
MOUNTS AND ACCESSORIES

DIMENSIONS

HA35JCBHA1/HA35JCBHA1G



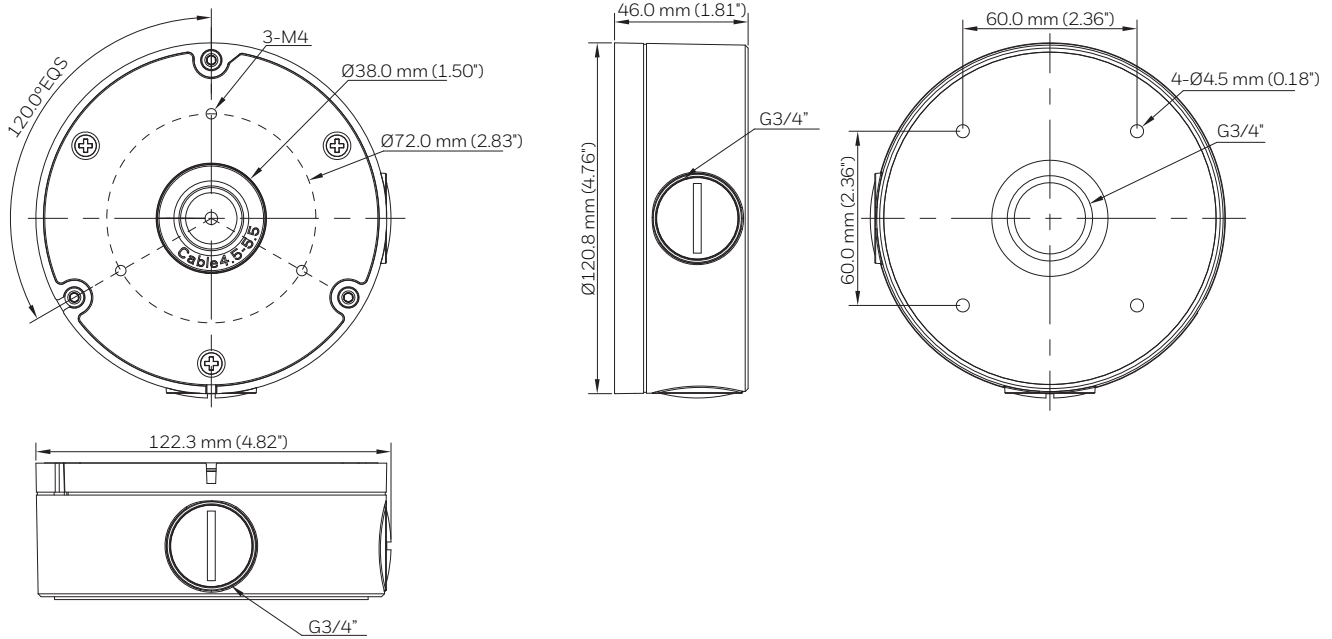
HA35JCBHDF



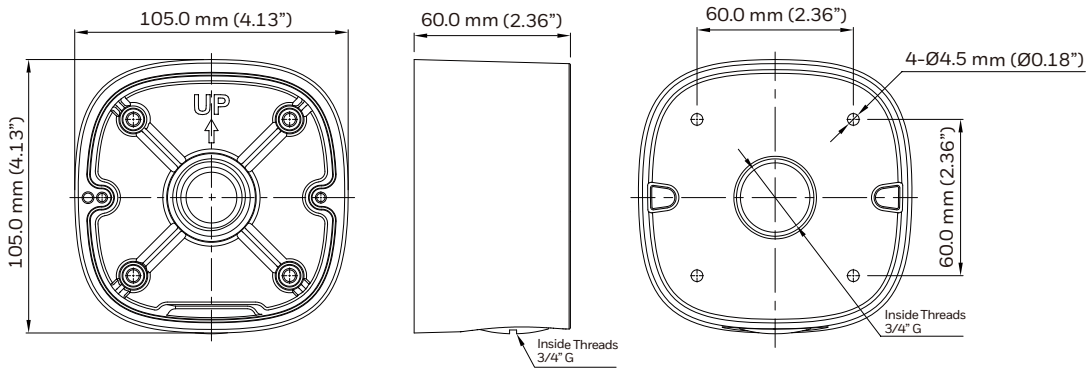
MOUNTS AND ACCESSORIES

DIMENSIONS

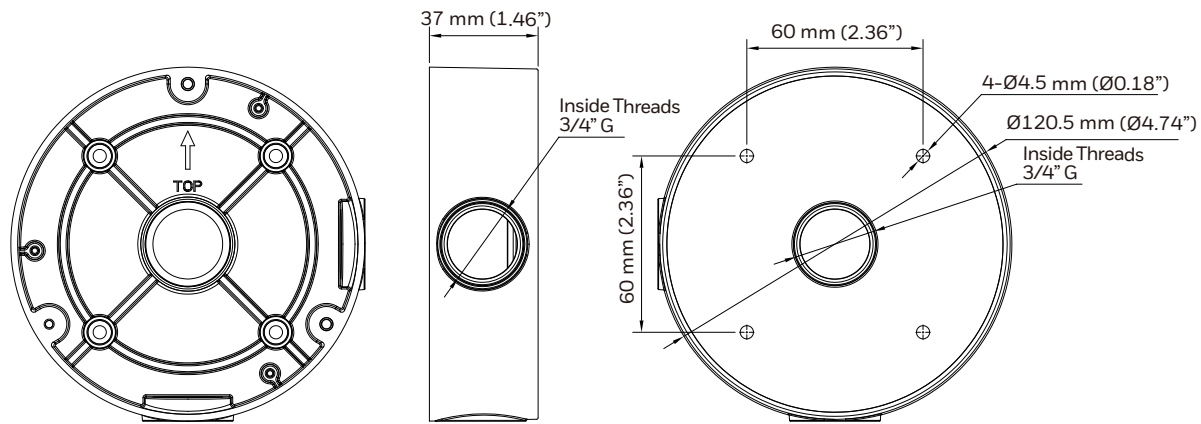
HA35JCBHBA



HA35JCBM01



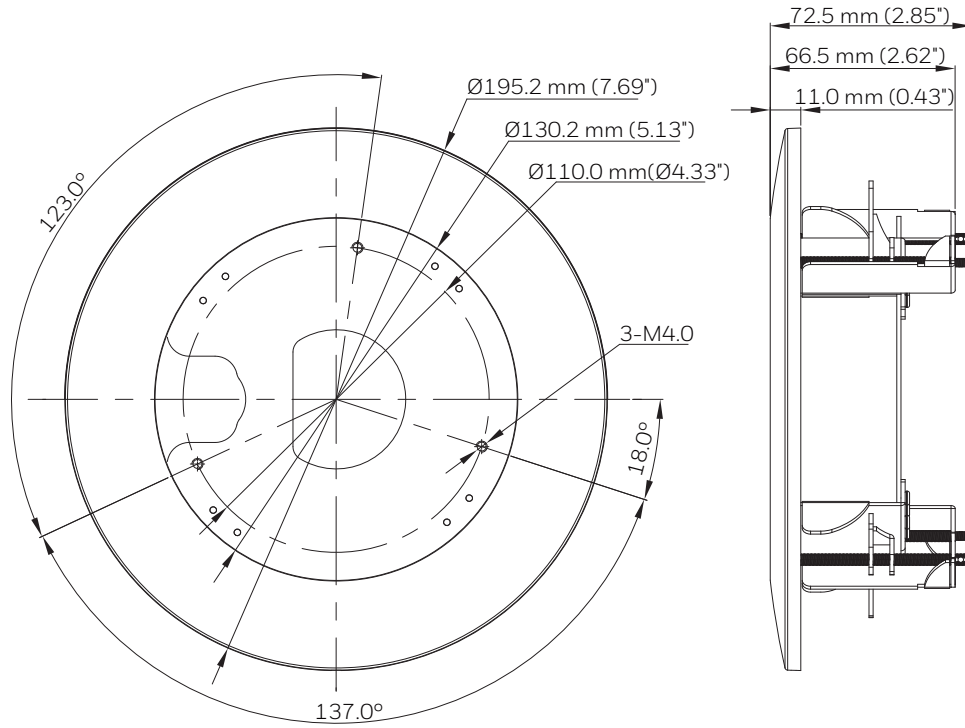
HA35JCBHBB



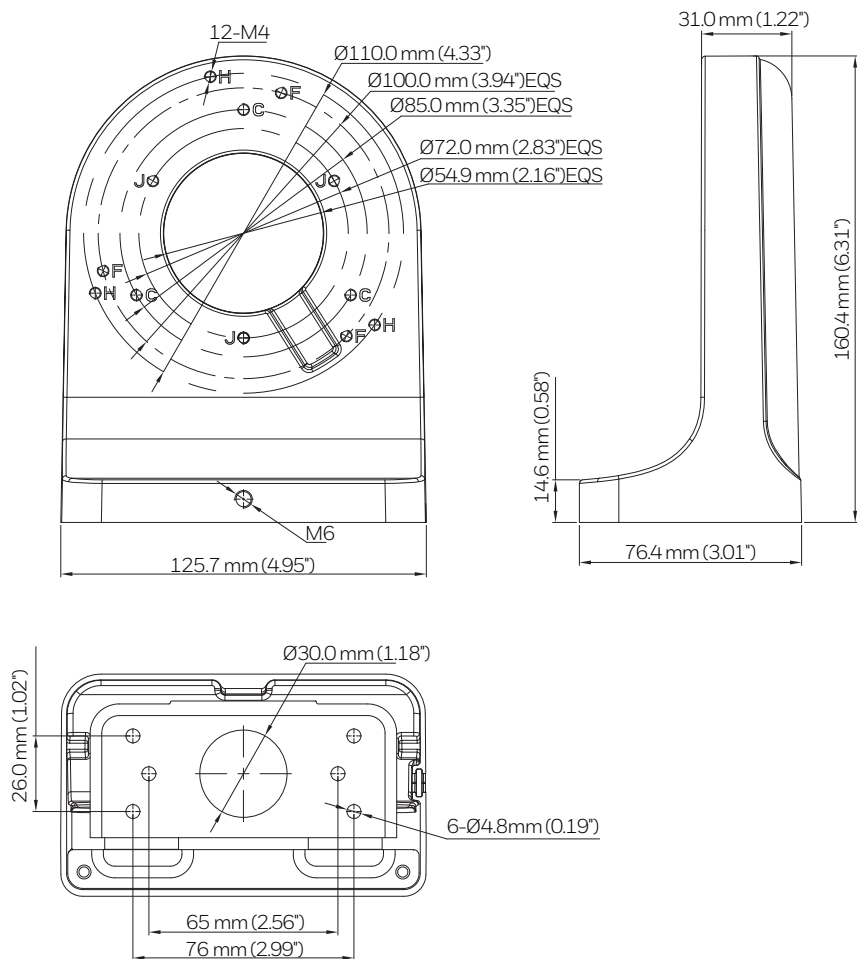
MOUNTS AND ACCESSORIES

DIMENSIONS

HA351CK



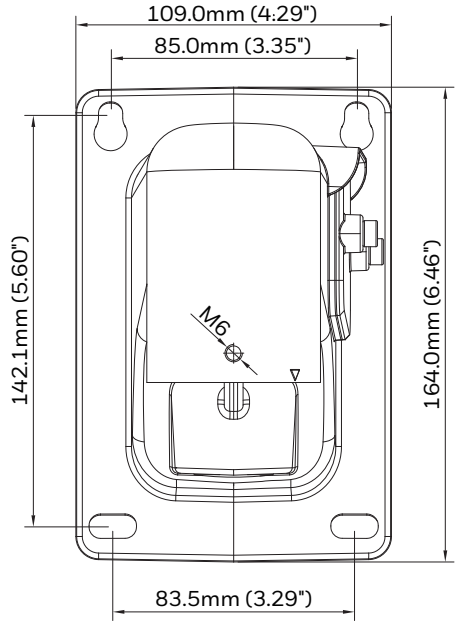
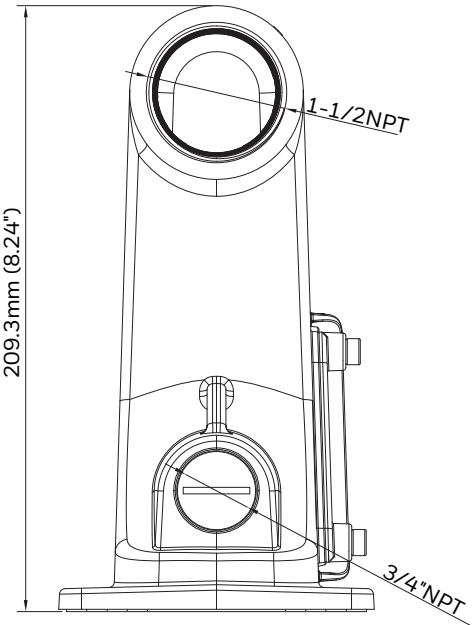
HA35JCBWML



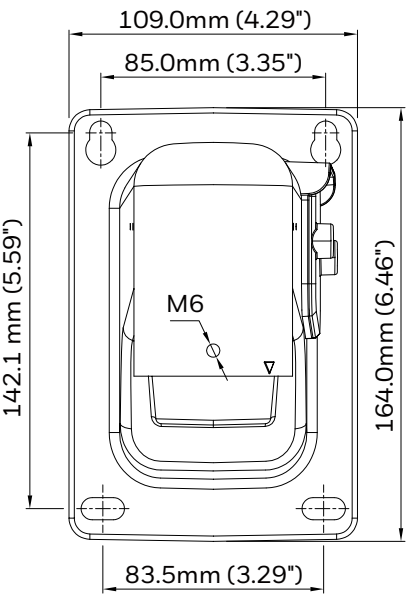
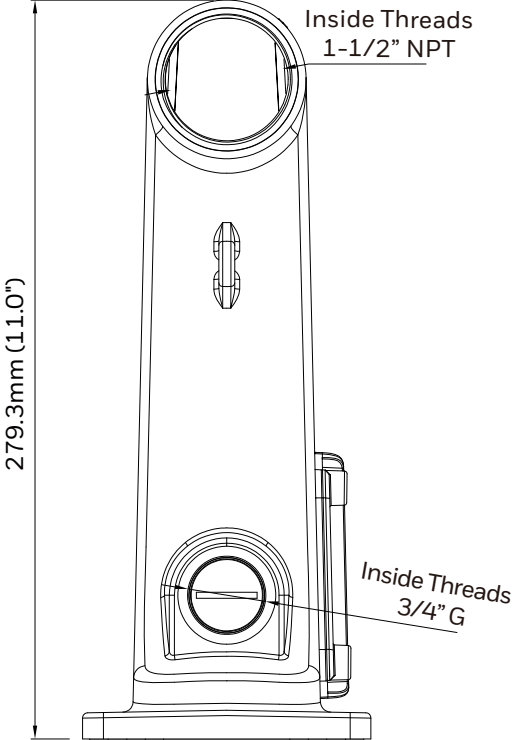
MOUNTS AND ACCESSORIES

DIMENSIONS

HC60WLMZI



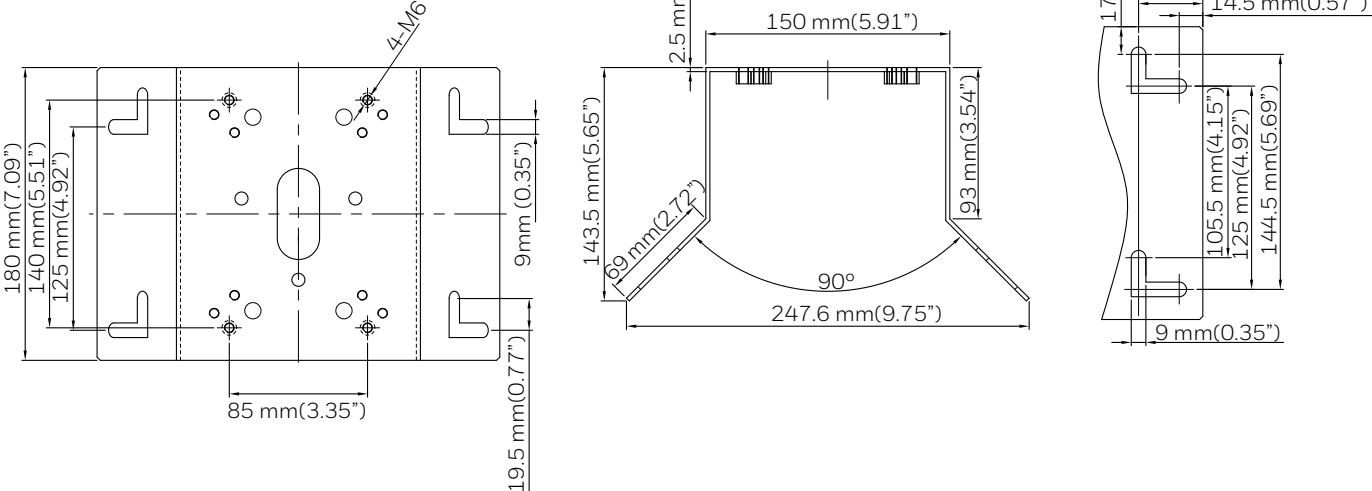
HA60WLMZL



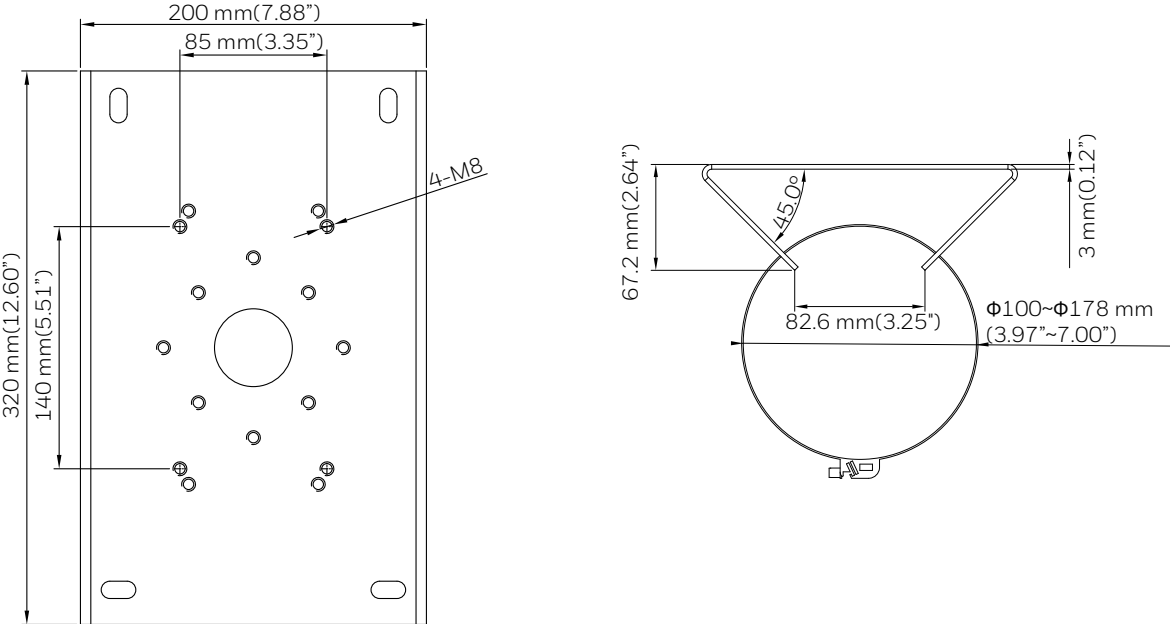
MOUNTS AND ACCESSORIES

DIMENSIONS

HA60CNMZI



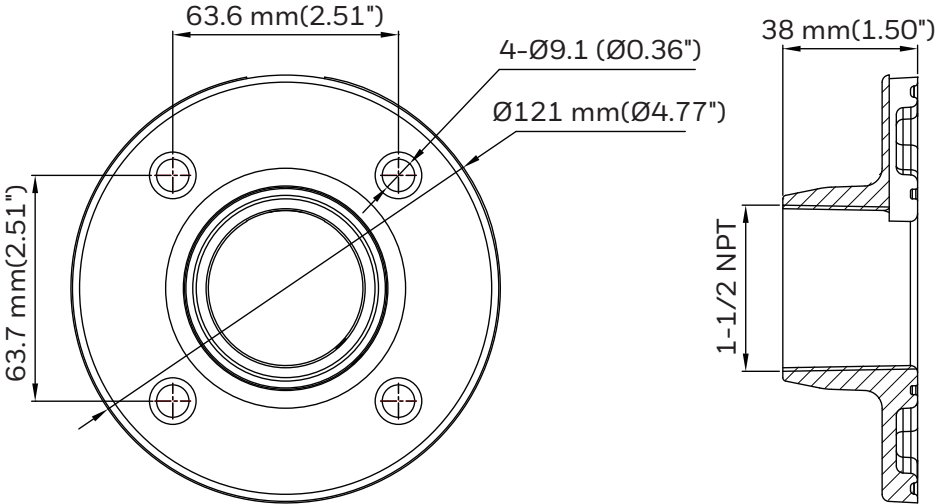
HA60PLMZI



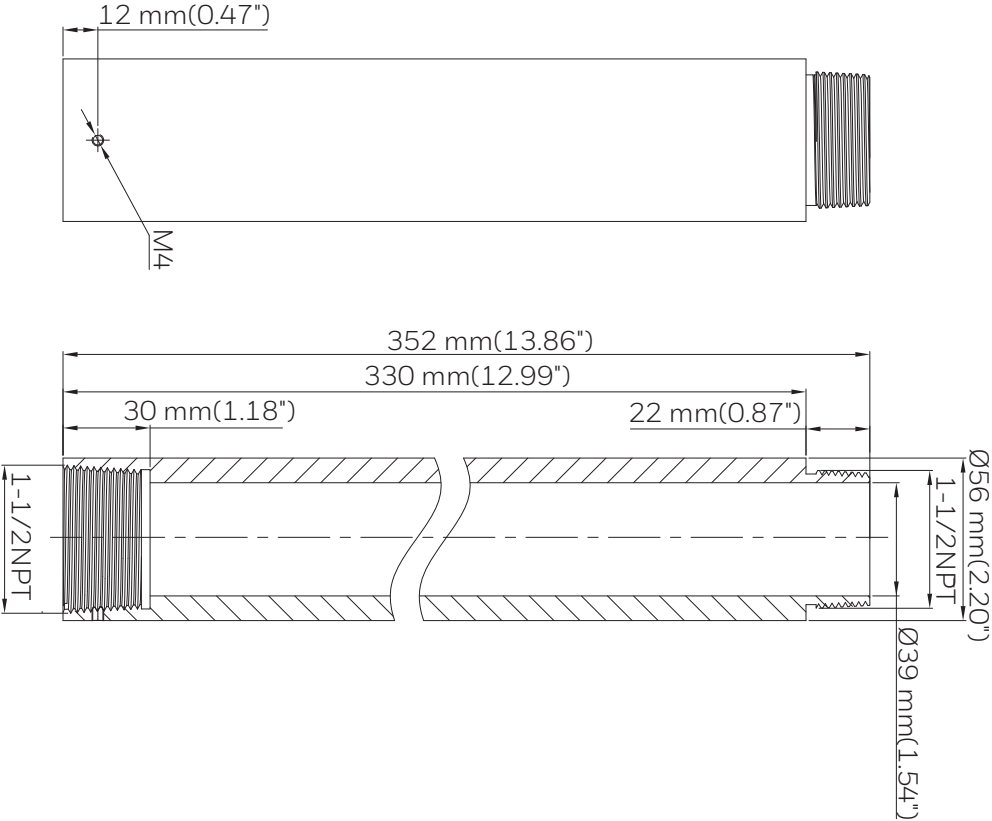
MOUNTS AND ACCESSORIES

DIMENSIONS

HA60CLM01



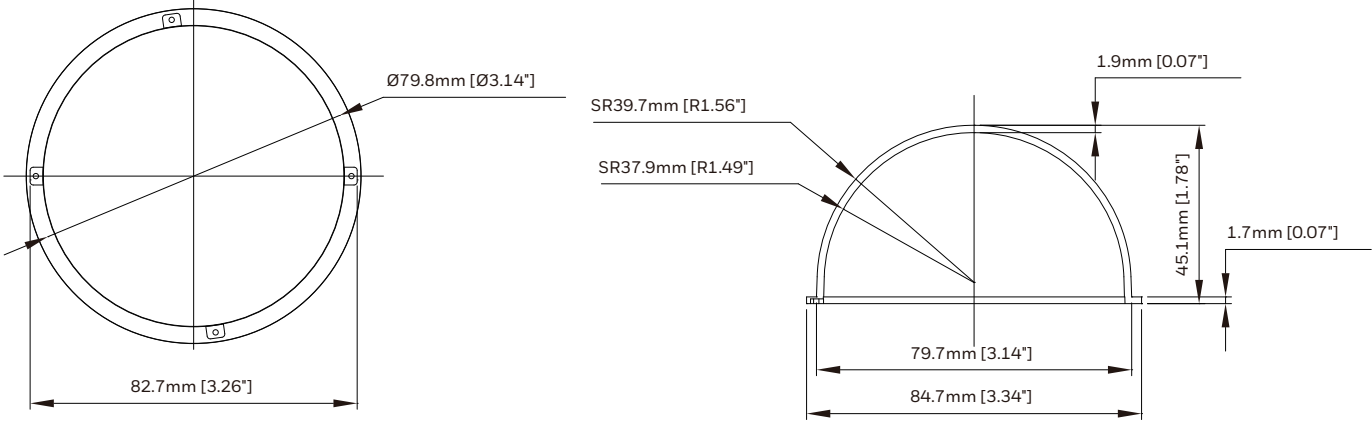
HA60CLM02



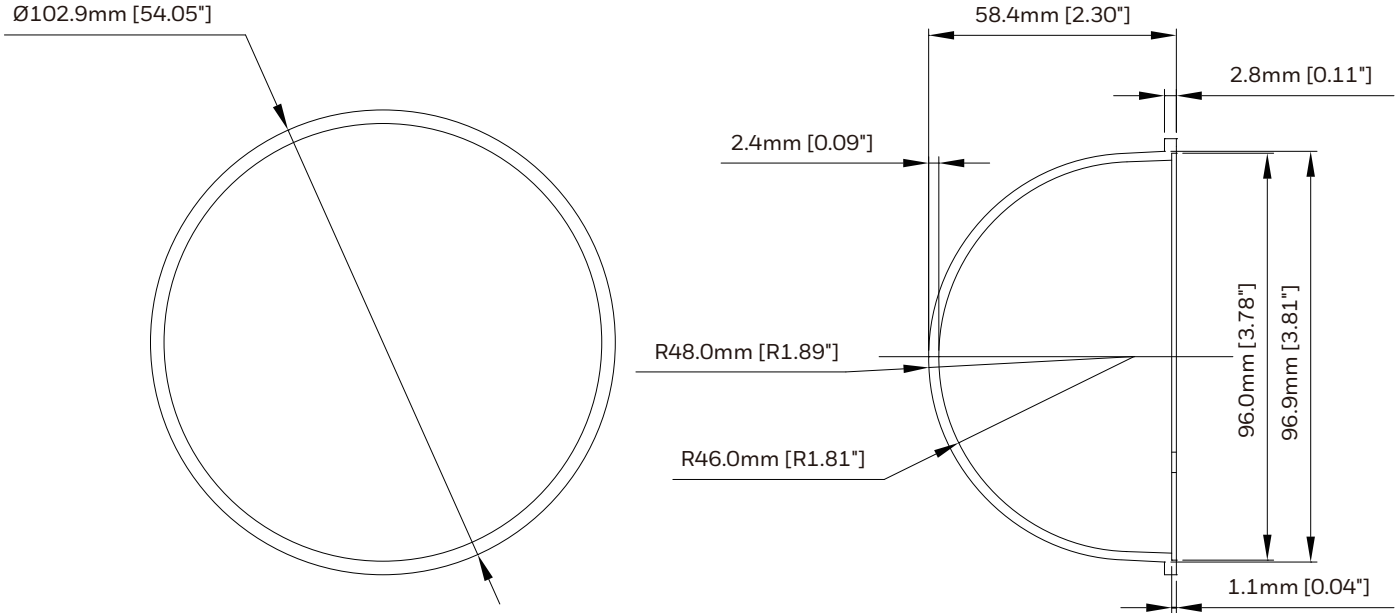
MOUNTS AND ACCESSORIES

DIMENSIONS

HA35SB3



HA35SB4



MOUNTS AND ACCESSORIES

ORDERING

MODEL	DESCRIPTION	MODEL	DESCRIPTION
HA35CNM01	35S corner mount bracket	HA35JCBHBA	35S bullet junction box
HA35PLM01	35S pole mount bracket	HA35JCBM01	35S micro dome junction box
HA60WLMB1	60S wall mount bracket, 1.5NPT female	HA35JCBHBB	35S bullet junction box , IP66
HA35PMC02	35S MFZ camera cap, 1.5NPT male	HA35ICK	35S dome in-ceiling mount bracket
HA35PMC03	35S fixed camera cap, 1.5NPT male	HA35JCBWML	35S wall mount bracket
HA35PCM04B	35S cap for pendent mount, 1.5NPT male	HA60WLMZI	60S wall mount bracket, 1.5NPT female, arm length 209.3mm (8.24")
HA35CLM01	35S ceiling mount base with adapter	HA60WLMZL	60S Longer Wall Mount, 1.5NPT female, arm length 279.3mm (11.0")
HA35CLM02	35S ceiling mount pendent extension, 252mm	HA60CNMZI	60S corner mount bracket
HA354SC01	35S 4S box cover	HA60PLMZI	60S pole mount bracket
HA35JCBHDV	35S MFZ dome junction box	HA60CLM01	60S pendent mount base, 1.5NPT female
HA35JCBHA1	35S all-in-one box, white	HA60CLM02	60S pendent extension mount, 1.5NPT male
HA35JCBHDF	35S fixed dome junction box	HA35SB3	35S fixed lens dome bubble(Smoke)
HA35SB4	35S MFZ lens dome bubble(Smoke)	HA35JCBHA1G	35S all-in-one box, dark gray

For more information

buildings.honeywell.com/security

Honeywell Commercial Security

715 Peachtree St. NE
 Atlanta, GA 30308
 1.800.323.4576
www.honeywell.com

Honeywell reserves the right, without notification, to make changes in product design or specifications.

HSV-35S_MNTS_ACC-02-US(0125)DS-Y
 © 2025 Honeywell International Inc.

