

35 SERIES

HC35W43R2

HC35W45R2

HC35W48R2



WDR 3/5/8 MP IR MFZ Dome, 2.7-13.5mm, POE



OPERATIONAL	
Video Standard	NTSC / PAL
Scanning System	Progressive
Image Sensor	HC35W43R2: 1/2.7" CMOS HC35W45R2/HC35W48R2: 1/2.8" CMOS
Sensor Size (H x V)	HC35W43R2: 5.768 mm * 3.248 mm HC35W45R2: 5.184 mm * 3.888 mm HC35W48R2: 5.568 mm * 3.132 mm
Number Of Pixels(H x V)	HC35W43R2: 2304 * 1296 px HC35W45R2: 2592 * 1944 px HC35W48R2: 3840 * 2160 px
Minimum Illumination (Color/BW)	HC35W43R2/HC35W45R2: 0.005 Lux/F1.6 (Color, 30 IRE), 0 Lux/F1.6 (IR ON) HC35W48R2: 0.007Lux/F1.6 (Color, 30 IRE), 0 Lux/F1.6 (IR ON)
S/N Ratio	50 db
Electronic Shutter Speed	1/8 - 1/32,000
IR Distance	50 M
IR Light Control	Smart IR (Auto / Manual) / OFF
IR Light Number	4
Day/Night	Auto (ICR) / Color / BW
Backlight Compensation	WDR, BLC, HLC
White Balance	Auto / Fixed Current / Manual
Gain Control	0-100%
Wide Dynamic Range	120 db
Noise Reduction	3D DNR
Lens	2.7-13.5 mm, Fixed Iris, F1.6-F3.3, MFZ
Angle Of View (H x V x D)	HC35W43R2: H: 84°~25°, V:46°~14° HC35W45R2: H:95.6°~26.9°, V:65.36°~20.46° HC35W48R2: H:102.56°~31.18°, V:54.3°~17.47°
Privacy Masking	Off / On (4 Areas)
Defog	HC35W43R2: no support HC35W45R2/HC35W48R2: Support
Local Storage	Micro SD (up to 256 GB)
Alarm Inputs/Outputs	HC35W43R2: no support HC35W45R2/HC35W48R2: 1 In / 1 Out
Pan Range	HC35W43R2/HC35W45R2: 0-355 HC35W48R2: 0-355
Tilt Range	0-75
Rotation Range	HC35W43R2/HC35W45R2: 0-354 HC35W48R2: 0-354

VIDEO							
Video Compression	H.265 HEVC/H.264/MJPEG, Smart Codec						
Resolution	<table border="1"> <tr> <td>HC35W43R2</td> <td>1st: 2304 * 1296 / 1920 * 1080 / 1280 * 720 2nd: 704 * 576(PAL) / 704 * 480(NTSC) / 640 * 480 / 352 * 288(PAL) / 352 * 240(NTSC) 3rd: 640 * 480 / 352 * 288(PAL) / 352 * 240(NTSC) / 320 * 240</td> </tr> <tr> <td>HC35W45R2</td> <td>1st: 2592 * 1944 / 2592 * 1520 / 1920 * 1080 / 1280 * 720 2nd: 704 * 576(PAL) / 704 * 480(NTSC) / 640 * 480 / 352 * 288(PAL) / 352 * 240(NTSC) 3rd: 1920 * 1080 / 640 * 480 / 352 * 288(PAL) / 352 * 240(NTSC) / 320 * 240</td> </tr> <tr> <td>HC35W48R2</td> <td>1st: 3840 * 2160 / 2592 * 1944 / 2592 * 1520 / 2560 * 1440 / 2304 * 1296 / 1920 * 1080 / 1280 * 720 2nd: 704 * 576(PAL) / 704 * 480(NTSC) / 640 * 480 / 352 * 288(PAL) / 352 * 240(NTSC) 3rd: 640 * 480 / 352 * 288(PAL) / 352 * 240(NTSC) / 320 * 240</td> </tr> </table>	HC35W43R2	1st: 2304 * 1296 / 1920 * 1080 / 1280 * 720 2nd: 704 * 576(PAL) / 704 * 480(NTSC) / 640 * 480 / 352 * 288(PAL) / 352 * 240(NTSC) 3rd: 640 * 480 / 352 * 288(PAL) / 352 * 240(NTSC) / 320 * 240	HC35W45R2	1st: 2592 * 1944 / 2592 * 1520 / 1920 * 1080 / 1280 * 720 2nd: 704 * 576(PAL) / 704 * 480(NTSC) / 640 * 480 / 352 * 288(PAL) / 352 * 240(NTSC) 3rd: 1920 * 1080 / 640 * 480 / 352 * 288(PAL) / 352 * 240(NTSC) / 320 * 240	HC35W48R2	1st: 3840 * 2160 / 2592 * 1944 / 2592 * 1520 / 2560 * 1440 / 2304 * 1296 / 1920 * 1080 / 1280 * 720 2nd: 704 * 576(PAL) / 704 * 480(NTSC) / 640 * 480 / 352 * 288(PAL) / 352 * 240(NTSC) 3rd: 640 * 480 / 352 * 288(PAL) / 352 * 240(NTSC) / 320 * 240
HC35W43R2	1st: 2304 * 1296 / 1920 * 1080 / 1280 * 720 2nd: 704 * 576(PAL) / 704 * 480(NTSC) / 640 * 480 / 352 * 288(PAL) / 352 * 240(NTSC) 3rd: 640 * 480 / 352 * 288(PAL) / 352 * 240(NTSC) / 320 * 240						
HC35W45R2	1st: 2592 * 1944 / 2592 * 1520 / 1920 * 1080 / 1280 * 720 2nd: 704 * 576(PAL) / 704 * 480(NTSC) / 640 * 480 / 352 * 288(PAL) / 352 * 240(NTSC) 3rd: 1920 * 1080 / 640 * 480 / 352 * 288(PAL) / 352 * 240(NTSC) / 320 * 240						
HC35W48R2	1st: 3840 * 2160 / 2592 * 1944 / 2592 * 1520 / 2560 * 1440 / 2304 * 1296 / 1920 * 1080 / 1280 * 720 2nd: 704 * 576(PAL) / 704 * 480(NTSC) / 640 * 480 / 352 * 288(PAL) / 352 * 240(NTSC) 3rd: 640 * 480 / 352 * 288(PAL) / 352 * 240(NTSC) / 320 * 240						
Number of Video Streams	3 (2 for encryption)						
Frame Rate	Main/Second Stream: MAX 30 fps (MAX 15 fps for encryption under HTTPS) Third Stream: MAX 30 fps (Not available for encryption)						
Bit Rate	HC35W43R2: 100K~6 Mbps (15K~2 Mbps for encryption) HC35W45R2: 100K~12 Mbps (15K~2 Mbps for encryption) HC35W48R2: 100K~16 Mbps (15K~3 Mbps for encryption)						
AUDIO							
Audio Compression	HC35W43R2: no support HC35W45R2/HC35W48R2: G.711						
Audio Stream	HC35W43R2: no support HC35W45R2/HC35W48R2: 2-Way, Full duplex						
Audio Interface	HC35W43R2: no support HC35W45R2/HC35W48R2: Line In/Out						
NETWORK							
Ethernet	10 Base-T/100 Base-TX Ethernet (RJ-45)						
Supported Web Browsers	Chrome						
Supported OS	Microsoft Windows 10						
Protocols*	IPv4, IPv6, TCP / IP, HTTP, HTTPS, UPnP, RTSP / RTP / RTCP, IGMP / Multicast, SMTP, DHCP, NTP, DNS, DDNS, QoS, SNMP, 802.1X, UDP, ICMP, ARP, TLS						
Interoperability	ONVIF Profile G/S/T						
Maximum Users Access	10 Users						
Security	User account and password protection, HTTPS, IP Filter, Digest authentication, TLS1.2 only, Stream encryption, AES128 / 256, SSH / Telnet closed						
Languages Supported	Arabic, Chinese (Simplified), Czech, Dutch, English, French, German, Italian, Japanese, Korean, Polish, Portuguese (Brazil), Russian, Spanish, Turkish						

* Some development may be required in specific user cases to support some of these protocols in the field as they mature over time.

Honeywell

35 SERIES WDR 3/5/8 MP IR MFZ DOME CAMERA

EVENTS / ANALYTICS	
Video Analytics	HC35W43R2: no support HC35W45R2/HC35W48R2: People counting, Loitering, Tripwire SMD
Event Type	HC35W43R2: Video motion detection, Recording notification HC35W45R2/HC35W48R2: Video motion detection, Alarm input, Recording notification, Tampering
Event Linkage	HC35W43R2: Event notification using Email and MicroSD card HC35W45R2/HC35W48R2: Event notification using digital output, Email and MicroSD card
Region Of Interest	8

ELECTRICAL	
Power Supply	HC35W43R2: DC12 V, 1A; or PoE 44-57 V, MAX 5.5W HC35W45R2: DC12 V, 1A; or PoE 44-57 V, MAX 6W HC35W48R2: DC12 V, 1A; or PoE 44-57 V, MAX 6.7W
Power Consumption (Max)	HC35W43R2: MAX 5.5 W HC35W45R2: MAX 6 W HC35W48R2: MAX 6.7 W

MECHANICAL	
Dimensions (D x D x H)	Ø130 mm x 112 mm (Ø5.12" x 4.41")
Dome Diameter	Ø96.4 mm (3.8")
Product Weight	0.86 kg (1.90 lb)
Package Weight	1.05 kg (2.31 lb)
Body Material	Aluminum and Plastic
Color	Honeywell White, Pantone Black

RECOMMENDED ACCESSORIES

SYSTEM INTEGRATION	
Pro-Watch NVR	Up to 256 IP channels RAID5 / 6 Enterprise NVR
MAXPRO NVR PE	Up to 128 IP channels RAID5 / 6 Enterprise NVR
MAXPRO NVR SE	Up to 64 IP channels System NVR
MAXPRO NVR XE	Up to 16 IP channels System NVR
MAXPRO NVR SOFTWARE	Up to 128 IP channels Recording Software
ADPRO NVR FASTTRACE 2E	Up to 32 IP channels with up to 32 VA channels NVRs
ADPRO NVR iFT-E	Up to 32 IP channels with up to 32 VA channels NVRs
ADPRO NVR iFT	Up to 32 IP channels or 16 IP channels with up to 16 VA channels NVRs
ADPRO NVR iFT GATEWAY	4 IP channels + 4 VA channels
Honeywell DVM	Supported with Honeywell DVM R700, DVM R620
30 Series NVR	Integration with 30 Series NVRH

ORDERING	
HC35W43R2	WDR 3 MP IR MFZ Dome Camera, 2.7-13.5 mm, POE, DC12V, IK10
HC35W45R2	WDR 5 MP IR MFZ Dome Camera, 2.7-13.5 mm, POE, DC12V, Audio & Alarm In/Out, IK10
HC35W48R2	WDR 8 MP IR MFZ Dome Camera, 2.7-13.5 mm, POE, DC12V, Audio & Alarm In/Out, IK10

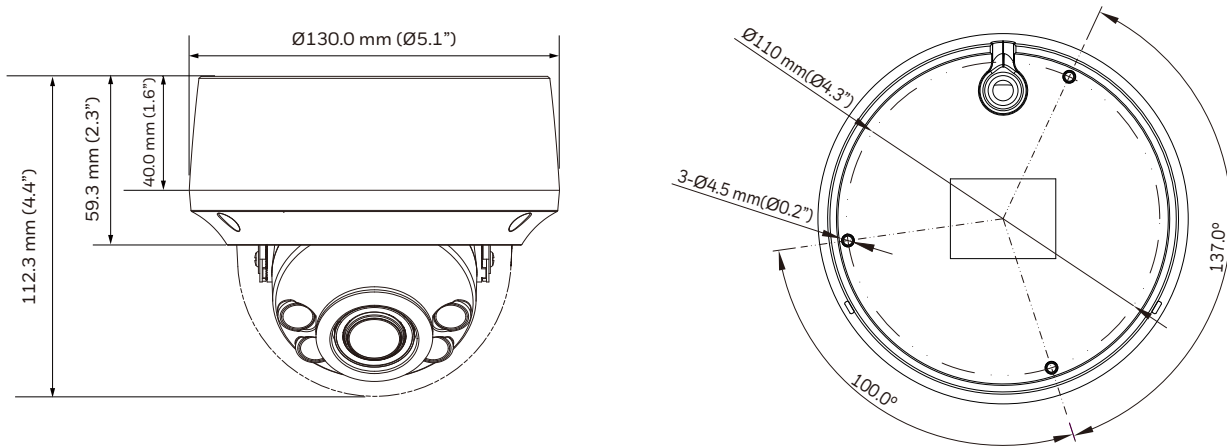
ENVIRONMENTAL	
Operating Temperature	Starting Temperature: -40°C ~ 60°C (-40°F ~ 140°F) Working Temperature: -40°C ~ 60°C (-40°F ~ 140°F)
Relative Humidity	Less than 90 %, non-condensing
Ingress Protection	IP66
Impact Resistance	IK10

REGULATORY	
Emissions	FCC PART 15, CE (EN 55032), Complies with RCM and UKCA
Immunity	CE(EN 50130-4), Complies with RCM and UKCA
Safety	UL LISTED TO UL/CSA 62368-1, CE(EN 62368-1), Complies with RCM and UKCA
RoHs	CE(EN 63000), UAE(Cabinet Decree No.10 of 2017)
Country of Origin	Vietnam

OPTIONAL MOUNTS AND ACCESSORIES	
HA35PMC02	35S MFZ camera cap, 1.5NPT male
HA60JCBH1	60S junction box
HA35CLM01	35S ceiling mount base with adapter
HA35CLM02	35S ceiling mount extension, 252mm
HA60WLMB1	60S wall mount bracket, 1.5NPT female
HA60PLMZ	60S pole mount adapter
HA60CNMZ	60S corner mount adapter

35 SERIES WDR 3/5/8 MP IR MFZ DOME CAMERA

DIMENSIONS



For more information

buildings.honeywell.com/security

Honeywell Commercial Security

715 Peachtree St. NE

Atlanta, GA 30308

1.800.323.4576

www.honeywell.com



HEVC^{Advance™}

ONVIF and the ONVIF logo are trademarks of ONVIF Inc.
HEVC Advance logo is a trademark of HEVC Advance
Honeywell reserves the right, without notification, to
make changes in product design or specifications.

HSV-HC35W4xR2-01-US(1221)DS-Y
© 2021 Honeywell International Inc.

Honeywell