

The Alpro DB38 incorporates the latest design innovations to be applied to the manufacture of a transverse action Deadlocking Solenoid Bolt.

The DB38 offers the highest level of security, quality electronic ingenuity as the DB25 but with increased strength primarily achieved by utilising a larger diameter bolt pin, the DB38 is the preferred option when high physical strength is needed. The advanced microprocessor module provides power reduction allowing for continuous operation without heat generation as well as automatic voltage regulation, dual monitoring and access control features.



High Physical Security

Holding force 2,000kg - automatic deadlocking Bolt throw 14mm.

Robust Construction

All stainless steel bolt pin of 14.2mm diameter, linkages and springs. 3mm stainless steel faceplate and strike plates with fully enclosed mechanism.

Versatile Installation

Mortise mount horizontally or vertically, on single or double action doors.

Surface mount with the aid of the DB38 accessories, including mounting onto glass.

Physical Dimensions

203mm (L) x 37.5mm (W) x 44mm (D)

Faceplates

Square

Multiple Voltage Input

Any voltage from 12vDC - 24vDC

Thermal overheating protection

Complete with built in transient and reverse polarity protection and continuously rated solenoid.

Low Current Consumption

Volts	Current - Activate	Current - Hold (after 200ms)
12v DC	1500mA	230mA
24v DC	1400mA	90mA

Dual Monitoring

Bolt and Door position switches



Built-in Access Control Module

Automatic unlock period - 8 seconds

Multiple auto relock function - PTL

Multiple unlock function - PTO

Accessories

Strike box and housing kit

Stainless Steel strike plate with square hole

Glass surface mount kit dress plate

Approvals

EN 61000-6-1 : 2007

EN 61000-6-3 : 2007

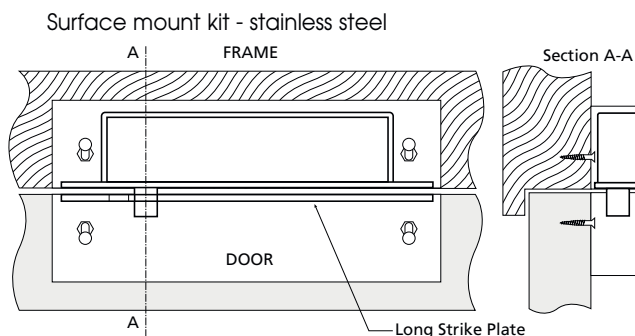
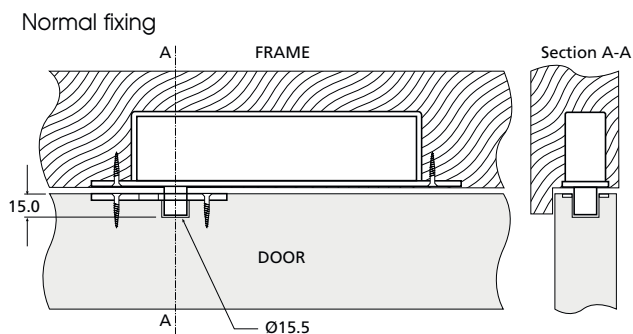
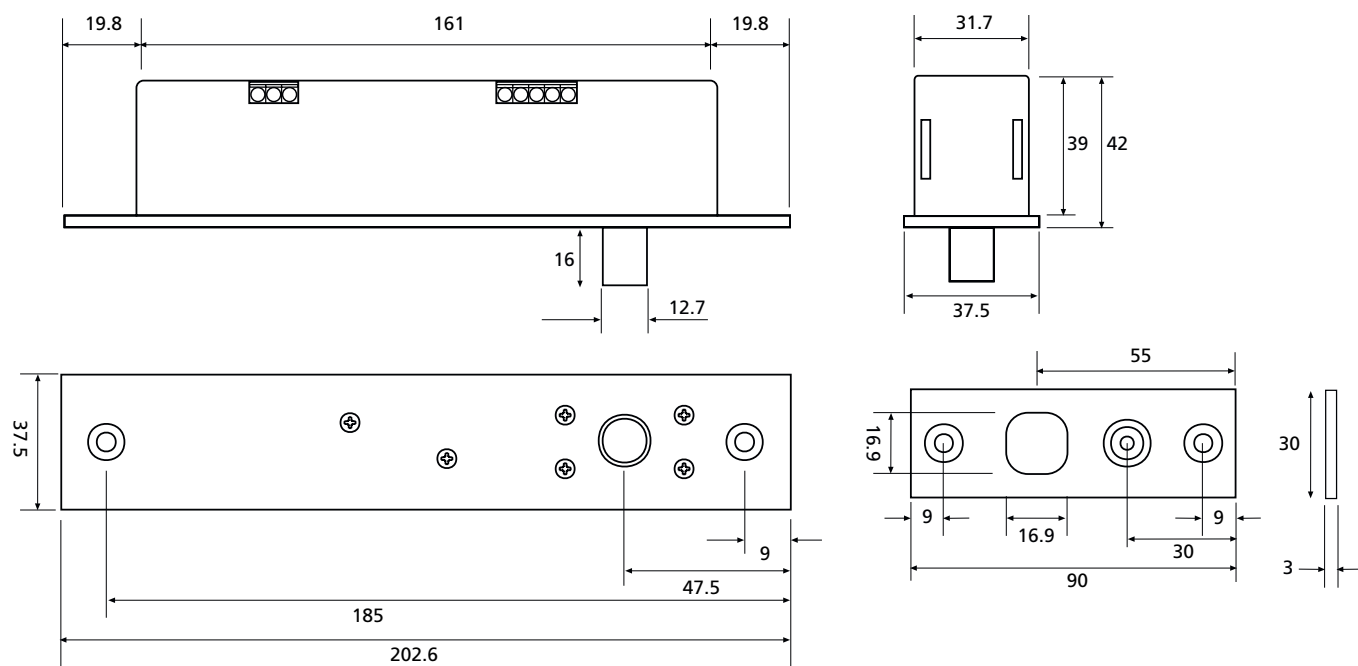
Ordering Information/Specifications

Surface mounting a lock and/or strike with the aid of a DB38 housing offers more flexibility in installation and makes securing glass doors possible. Dress plates are offered to give a 'clean' finish when a housing has been installed onto glass. Both the housing and dress plate are supplied with self-adhesive tape for instant application to glass doors and frames.

Description	Function	Code
12-24vDC Deadlocking bolt 38mm with wide faceplate including strike plate and square hole	Fail Open - Power to Lock	DB38/PTLOCK
12-24vDC Deadlocking bolt - 38mm with wide faceplate including short strike plate with square hole	Fail Secure - Power to Open	DB38/PTOPEN

Accessories

Strike box and housing kit	DB38/SMH-KIT
Stainless steel strike plate with square hole	DB38/SSP
Glass surface mount kit dress plate	DB38/SMK-DP



Housing dimensions: L 206 x W 37.5 x D 3mm